

Instructions For Use

F2402H Hermetically-Sealed Rotor

For Use in the Beckman Coulter
Allegra 64R,
Avanti 30,
Allegra X-22 Series,
Allegra 21 Series,
GS-15 Series,
Spinchron 15 Series, and
Allegra X-30 Series Centrifuges



GS-TB-021HB
February 2014



Beckman Coulter, Inc.
250 S. Kraemer Blvd.
Brea, CA 92821 U.S.A.



F2402H Hermetically-Sealed Rotor

GS-TB-021HB (February 2014)

Copyright © 2014 Beckman Coulter, Inc.
All rights reserved.

No part of this document may be reproduced or transmitted in any form or by any means, electronic, mechanical, photocopying, recording, or otherwise, without prior written permission from Beckman Coulter, Inc.

Allegra, Avanti, Beckman Coulter and the stylized logo are trademarks of Beckman Coulter, Inc. and are registered in the USPTO.

All other trademarks, service marks, products, or services are trademarks or registered trademarks of their respective holders.

Find us on the World Wide Web at:
www.beckmancoulter.com

Printed in U.S.A.

Revision Status

This document applies to the latest software listed and higher versions. When a subsequent software version changes the information in this document, a new issue will be released.

Initial Issue, 3/95

Issue HA, 02/2014

Changes were made to:

- [Table 1, Available Tubes for the F2402H Rotor](#)

Safety Notice

Read all product manuals and consult with Beckman Coulter-trained personnel before attempting to use this equipment. Do not attempt to perform any procedure before carefully reading all instructions. Always follow product labeling and manufacturer's recommendations. If in doubt as to how to proceed in any situation, contact your Beckman Coulter Representative.



This safety notice summarizes information basic to the safe use of the rotor described in this manual. The international symbol displayed to the left is a reminder to the user that all safety instructions should be read and understood before operation or maintenance of this equipment is attempted. When you see the symbol on other pages of this publication, pay special attention to the safety information presented. Observance of safety precautions will also help to avoid actions that could damage or adversely affect the performance of the rotor.

Alerts for Warning, Caution, and Note

WARNING

WARNING indicates a potentially hazardous situation which, if not avoided, could result in death or serious injury.

CAUTION

CAUTION indicates a potentially hazardous situation, which, if not avoided, may result in minor or moderate injury. It may also be used to alert against unsafe practices.

NOTE NOTE is used to call attention to notable information that should be followed during installation, use, or servicing of this equipment.

Safety Information for the F2402H Rotor

Handle body fluids with care because they can transmit disease. No known test offers complete assurance that such fluids are free of micro-organisms. Some of the most virulent—Hepatitis (B and C) viruses, HIV (I–V), atypical mycobacteria, and certain systemic fungi—further emphasize the need for aerosol protection. Handle other infectious samples according to good laboratory procedures and methods to prevent spread of disease. Because spills may generate aerosols, observe proper safety precautions for aerosol containment. Do not run toxic, pathogenic, or radioactive materials in this rotor without taking appropriate safety precautions. Biosafe containment should be used when Risk Group II materials (as identified in the World Health Organization *Laboratory Biosafety Manual*) are handled; materials of a higher group require more than one level of protection.

Safety Notice

Safety Information for the F2402H Rotor

The rotor and accessories are not designed for use with materials capable of developing flammable or explosive vapors. Do not centrifuge such materials in nor handle or store them near the centrifuge.

This rotor was developed, manufactured, and tested for safety and reliability as part of a Beckman Coulter centrifuge/rotor system. Its safety or reliability cannot be assured if used in a non-Beckman Coulter centrifuge or in a Beckman Coulter centrifuge that has been modified without Beckman Coulter's approval.

Although rotor components and accessories made by other manufacturers may fit in the F2402H rotor, their safety in this rotor cannot be ascertained by Beckman Coulter. Use of other manufacturers' components or accessories in the F2402H rotor may void the rotor warranty and should be prohibited by your laboratory safety officer. Only the components and accessories listed in this publication should be used in this rotor.

Make sure that filled containers are loaded symmetrically into the rotor and that opposing tubes are filled to the same level with liquid of the same density.

If disassembly reveals evidence of leakage, you should assume that some fluid escaped the rotor. Apply all appropriate safety and decontamination procedures to the centrifuge and accessories as required.

Never exceed the maximum rated speed of the rotor and labware in use. Refer to the section on [Run Speeds](#), and derate the run speed as appropriate.

Do not use sharp tools on the rotor that could cause scratches in the rotor surface. Corrosion begins in scratches and may open fissures in the rotor with continued use.

Contents



Revision Status, iii

Safety Notice, v

Alerts for Warning, Caution, and Note, v

Safety Information for the F2402H Rotor, v

F2402H Hermetically-Sealed Rotor, 1

Specifications, 1

Description, 2

Preparation and Use, 3

Prerun Safety Checks, 3

Rotor Preparation, 3

Operation, 4

Removal and Sample Recovery, 5

Tubes, 5

Temperature Limits, 6

Run Speeds, 6

Care and Maintenance, 7

Maintenance, 7

Cleaning, 9

Decontamination, 10

Sterilization and Disinfection, 10

Storage, 10

Returning a Rotor, 11

Supply List, 11

Replacement Rotor Parts, 11

Other, 12

Beckman Coulter, Inc.

Benchtop Rotor Warranty

Illustrations

10-Ring Positions on Rotor and Lid, 7

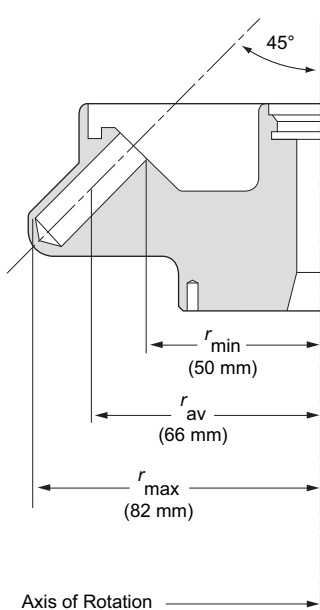
Tables

[1 Available Tubes for the F2402H Rotor, 5](#)

[2 Available Adapters for the F2402H Rotor, 6](#)

F2402H Hermetically-Sealed Rotor

Specifications



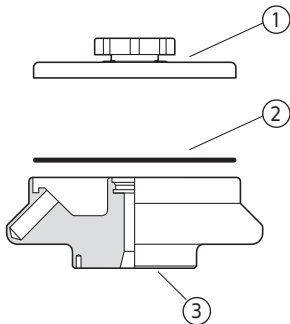
1. Axis of Rotation

Maximum speed	
Allegra 64R/Avanti 30	26,000 rpm ^a
Allegra X-30R	18,000 rpm
Allegra X-30.....	16,000 rpm
Allegra X-22R	15,500 rpm
Allegra 21R/GS-15R/Spinchron 15R	15,300 rpm
Allegra X-22/Allegra 21/GS-15/Spinchron 15.....	14,500 rpm
Density rating at maximum speed	1.2 g/mL
Relative Centrifugal Field ^b at maximum speed at r_{max}	
Allegra 64R/Avanti 30	61,970 × g
Allegra X-30R	29,756 × g
Allegra X-30.....	23,511 × g
Allegra X-22R	22,065 × g
Allegra 21R/GS-15R/Spinchron 15R	21,499 × g
Allegra X-22/Allegra 21/GS-15/Spinchron 15.....	19,309 × g
k factor at maximum speed	185
Conditions requiring speed reductions	see Run Speeds
Number of tube cavities	24
Nominal tube dimensions	11 × 45 mm
Nominal tube capacity	2 mL
Nominal rotor capacity	48 mL
Approximate acceleration time to maximum speed	
(fully loaded, in an Allegra 64R, accel curve 9)	70 sec
Approximate deceleration time from maximum speed	
(fully loaded, in an Allegra 64R, decel curve 9).....	50 sec
Weight of fully loaded rotor	2.06 kg (4.54 lb)
Rotor and lid material	aluminum

a. Allegra 64R/Avanti 30 @ 4°C is 21,000 rpm (40,430 × g) (measured at ambient temperature of 21°C).

b. Relative Centrifugal Field (RCF) is the ratio of the centrifugal acceleration at a specified radius and speed ($r\omega^2$) to the standard acceleration of gravity (g) according to the following formula: $RCF = r\omega^2/g$ — where r is the radius in millimeters, ω is the angular velocity in radians per second ($2\pi \text{ RPM}/60$), and g is the standard acceleration of gravity (9807 mm/s²). After substitution: $RCF = 1.12r (\text{RPM}/1000)^2$

Description



1. Lid (369352)
2. Rotor O-ring (974934)
3. Rotor Body

This Beckman Coulter rotor has been manufactured in an ISO 9001 or 13485 facility for use with the specified Beckman Coulter centrifuges.

The F2402H is a fixed-angle rotor with a tube angle of 45 degrees from the axis of rotation. The rotor can centrifuge up to twenty-four 1.5 to 2.0-mL reaction-vials, as well as 250 to 750- μ L vials. This rotor develops centrifugal forces that can efficiently pellet subcellular organelles, viruses, bacteria, mitochondria, chloroplasts, or algae. Up to 48 mL of gradient and sample volume can be centrifuged per run.

The rotor and lid are made of aluminum and are anodized for corrosion resistance. The rotor body is black and the lid is blue. This rotor was tested* to demonstrate containment of microbiological aerosols under normal operating conditions of the associated Beckman Coulter centrifuge, when used and maintained as instructed. A tie-down screw is used to secure the rotor to the drive shaft during centrifugation.

The centrifuge identifies rotor speed during the run by means of a magnetic speed sensor system in the rotor chamber and magnets imbedded in the rotor. The overspeed system ensures that the rotor does not exceed its permitted speed.

Refer to the Warranty at the back of this manual for warranty information.

* Validation of microbiological containment was done at an independent third-party testing facility (CAMR, Porton Down, UK, or USAMRIID, Ft. Detrick, MD, U.S.A.). Improper use or maintenance may affect seal integrity and thus containment.

Preparation and Use

Specific information about the F2402H rotor is given here. Information about the centrifuge is contained in the centrifuge manual, which should be used together with this manual for complete centrifuge, rotor, and accessory operation.

NOTE Although rotor components and accessories made by other manufacturers may fit in the F2402H rotor, their safety in this rotor cannot be ascertained by Beckman Coulter. Use of other manufacturers' components or accessories in the F2402H rotor may void the rotor warranty and should be prohibited by your laboratory safety officer. Only the components and accessories listed in this publication should be used in this rotor.

Prerun Safety Checks



Read the [Safety Notice](#) section at the front of this manual before using the rotor.

- 1 Make sure that the rotor, lid, and all tubes and accessories are clean and show no signs of corrosion or cracking.
- 2 All containers carrying physiological fluids should be capped, and not overfilled, to prevent leakage.
 - Verify that the tubes being used are listed in [Table 1](#).
- 3 Check the chemical compatibilities of all materials used (refer to *Chemical Resistances*, publication IN-175).

Rotor Preparation

For runs at other than room temperature, refrigerate or warm the rotor beforehand for fast equilibration.

- 1 Be sure that the metal threads in the rotor are clean and lightly but evenly coated with Spinkote lubricant (306812).
- 2 Load the filled containers symmetrically into the rotor (see [Tubes](#), page 5 for tube information).
 - If fewer than 24 tubes are being run, they must be arranged symmetrically in the rotor.
 - *Opposing tubes must be filled to the same level with liquid of the same density.*

-
- 3 Put the lid in place and tighten it by hand.
-

Operation

Temperatures may vary slightly between centrifuges. If sample temperature is crucial, test temperature settings on your instrument using water samples. For runs at other than room temperature, refrigerate or warm the rotor beforehand for fast equilibration.

Precool the rotor in the centrifuge or in a refrigerator before use—especially before short runs—to ensure that the rotor reaches the set temperature. A suggested precooling cycle is a minimum of 30 minutes at 2000 rpm with the temperature set to 0°C.

NOTE Refer to the centrifuge manual for proper installation and removal instructions. Failure to follow printed instructions may result in damage to the rotor and the centrifuge.

-
- 1 Ensure that the rotor tie-down screw (361367) is in good condition and the threads are free of foreign matter.



Do not drop the rotor onto the drive shaft. The shaft can be bent or damaged if the rotor is forced sideways or dropped onto the shaft.

-
- 2 Center the rotor over the drive shaft and carefully lower it straight down.
-
- 3 Secure the rotor to the drive shaft with the tie-down screw.
 - Tighten the screw by turning it to the right (clockwise) with the T-handle rotor wrench (361371).
-
- 4 Refer to the instrument instruction manual for centrifuge operation.
 - See [Run Speeds](#), page 6, for information about speed limitations.
-

Removal and Sample Recovery

 **CAUTION**

If pathogenic or radioactive materials are involved, remove the rotor to a biosafe containment hood before removing the lid.

- 1 Using the T-handle rotor wrench, turn the tie-down screw to the left (counterclockwise) to release the rotor.
- 2 Remove the rotor by lifting it straight up and off the drive shaft.
- 3 Remove the rotor lid and remove tubes.

NOTE Refer to the centrifuge manual for proper installation and removal instructions. Failure to follow printed instructions may result in damage to the rotor and the centrifuge.

If the rotor is left in the centrifuge between runs, make sure it is seated on the drive shaft and the tie-down screw is tight before each run. Approximately every 20 runs, or once a day, loosen the tie-down screw and retighten it to ensure proper connection between the rotor and the shaft.

Tubes

The F2402H rotor holds up to twenty-four 1.5 to 2.0-mL reaction-vials, listed in [Table 1](#). The rotor also holds 250 to 750- μ L vials in adapters. See [Table 2](#) for a list of available adapters.

Refer to Chemical Resistances for information on the chemical compatibilities of labware materials.

Table 1 Available Tubes for the F2402H Rotor

Description	Dimensions	Volume	Part Number	Adapter	Max Speed (rpm)
polyethylene tube with attached cap	11 \times 45 mm	1.8 mL	340196 (pkg/500)	364701 (pkg/12)	10,000
polypropylene tube with attached cap (natural)	11 \times 40 mm	1.5 mL	357448 (pkg/500)	364701 (pkg/12)	20,000
polypropylene tube with cap	11 \times 40 mm	1.5 mL	343169 (pkg/500)	364701 (pkg/12)	26,000
polyethylene tube, plain	7 \times 40 mm	400 μ L	314326 (pkg/1000)	361247 (pkg/24)	11,500
polyethylene tube, Heparin-Lithium Fluoride coated	7 \times 40 mm	400 μ L	652824 (pkg/1000)	361247 (pkg/24)	11,500

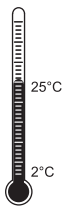
Table 1 Available Tubes for the F2402H Rotor (Continued)

Description	Dimensions	Volume	Part Number	Adapter	Max Speed (rpm)
polyethylene tube, Heparin-Lithium coated	7 × 40 mm	400 µL	652825 (pkg/1000)	361247 (pkg/24)	11,500
polyethylene tube, Heparin-Lithium Fluoride coated	5 × 45 mm	250 µL	652821 (pkg/1000)	361247 (pkg/24)	11,500
polyethylene tube, Heparin-Lithium coated	5 × 45 mm	250 µL	652822 (pkg/1000)	361247 (pkg/24)	11,500
polyethylene tube, plain	5 × 45 mm	250 µL	652823 (pkg/1000)	361247 (pkg/24)	11,500

Table 2 Available Adapters for the F2402H Rotor

Adapter Part Number ^a	Tube Description	Tube Volume	Capacity (bucket)	Capacity (rotor)	Pack of
361247	5 × 45 mm 7 × 40 mm	0.25 mL 0.40 mL	1	24	24
364690	18 × 28 mm	0.50 mL/ 0.75 mL	1	24	24

a. Observe tube manufacturer's maximum speed and fill guidelines.



Temperature Limits

- Plastic containers have been centrifuge tested for use at temperatures between 2 and 25°C. For centrifugation at other temperatures, pretest containers under anticipated run conditions.
- If plastic containers are frozen before use, make sure that they are thawed to at least 2°C before centrifugation.

Run Speeds

The centrifugal force at a given radius in a rotor is a function of speed. Comparisons of forces between different rotors are made by comparing the rotors' relative centrifugal fields (RCF). When rotational speed is adjusted so that identical samples are subjected to the same RCF in two different rotors, the samples are subjected to the same force. The RCF at each speed is automatically calculated by the centrifuge software.

The maximum run speed listed in the rotor specifications is for operation when all conditions are within the standard specifications. Speeds must be reduced under the following circumstances:

1. If nonprecipitating solutions more dense than 1.2 g/mL are centrifuged, the maximum allowable run speed must be reduced according to the following equation:

$$\text{reduced maximum speed} = (26,000 \text{ rpm}^*) \sqrt{\frac{1.2 \text{ g/mL}}{\rho}}$$

*In an Allegra 64R or Avanti 30

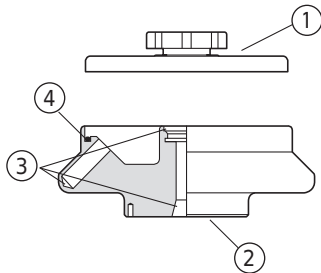
where ρ is the density of the tube contents. This speed reduction will protect the rotor from excessive stresses due to the added tube load. *Note, however, that the use of this formula may still produce maximum speed figures that are higher than the limitations imposed by the use of certain tubes or adapters.* In such cases, use the lower of the two figures.

2. Further speed limits must be imposed when self-forming-gradient salts are centrifuged, as the equation does not predict concentration limits/speeds that are required to avoid precipitation of salt crystals.

Care and Maintenance

Maintenance

Do not use sharp tools on the rotor, as they can scratch the anodized surface. Corrosion begins in scratches and may open fissures in the rotor with continued use.

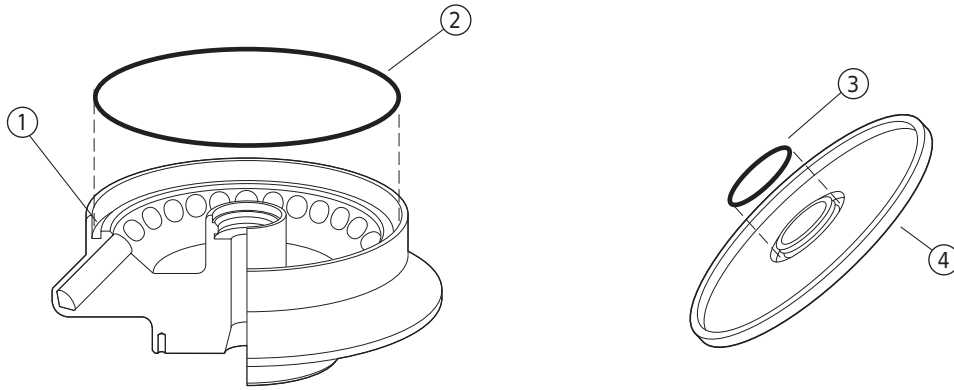


- | | |
|---------------|------------------------|
| 1. Lid | 3. Check for Corrosion |
| 2. Rotor Body | 4. O-ring |

- 1 Before using the rotor, inspect the sealing edges of the rotor and lid to be sure they are clean and smooth.
 - Scratched or gouged surfaces will not seal tightly.
 - Also, be sure the O-ring grooves of both the lid and rotor are free of scratches and nicks.

-
- 2** Inspect the O-rings (see [Figure 1](#)) for nicks, abrasions, or other damage.
- Replace damaged components before using the rotor.

Figure 1 O-Ring Positions on Rotor and Lid



1. O-Ring Groove 3. Small O-Ring (974933)
2. Large O-Ring (974934) 4. Lid

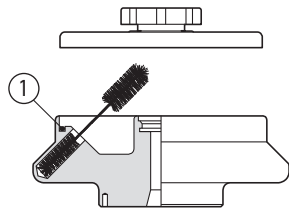
-
- 3** Periodically (at least monthly) inspect the rotor, especially inside cavities, for rough spots, cracks, pitting, white powder deposits (frequently aluminum oxide), or heavy discoloration.
- If any of these signs are evident, do not run the rotor.
 - Contact your Beckman Coulter representative for information about the Field Rotor Inspection Program and the rotor repair center.

-
- 4** Before using the tie-down screw (361367), check it for damage such as stripped threads.
- Replace it if it is damaged.

-
- 5** Regularly apply a thin, even coat of Spinkote lubricant (306812) to the rotor drive hole to prevent rotor sticking.

Refer to *Chemical Resistances* for the chemical compatibilities of rotor and accessory materials. Your Beckman Coulter representative provides contact with the Field Rotor Inspection Program and the rotor repair center.

Cleaning



1. O-ring

Wash the rotor and rotor components immediately if salts or other corrosive materials are used or if spillage has occurred. Do not allow corrosive materials to dry on the rotor.

Under normal use, wash the rotor frequently (at least weekly) to prevent buildup of residues. If the rotor is left in the centrifuge for long periods of time, remove it at least once a month for cleaning and lubrication.



- 1 Remove the O-rings and wash the rotor, lid, and O-rings in a mild detergent, such as Beckman Solution 555 (339555), that won't damage the rotor.
 - The Rotor Cleaning Kit (339558) contains two plastic-coated brushes and two quarts of Solution 555 for use with rotors and accessories.
 - Dilute the detergent 10 to 1 with water

NOTE Do not wash the rotor components or accessories in a dishwasher. Do not soak components in detergent solution for long periods of time, such as overnight.

- 2 Rinse the cleaned rotor and components with distilled water.

- 3 Air-dry the rotor and lid upside down.
 - Do not use acetone to dry the rotor.

- 4 Lightly but evenly lubricate the rotor drive-hole threads with Spinkote (306812).

- 5 Apply a thin, even coat of silicone vacuum grease (335148) to the O-rings, then replace them as shown in [Figure 1](#).

- 6 Clean metal threads every 6 months, or as necessary. Use a brush and concentrated Solution 555.
 - Rinse and dry thoroughly, then lubricate lightly but evenly with Spinkote to coat all threads.

Decontamination



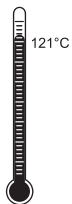
If the rotor (and/or accessories) becomes contaminated with radioactive material, decontaminate it using a solution that will not damage the anodized surfaces. Beckman Coulter has tested a number of solutions and found two that do not harm anodized aluminum: RadCon Surface Spray or IsoClean Solution (for soaking),* and Radiacwash.†

NOTE IsoClean can cause fading of colored anodized surfaces. Use it only when necessary and remove it promptly from surfaces.

While Beckman Coulter has tested these methods and found that they do not damage the rotor or components, no guarantee of decontamination is expressed or implied. Consult your laboratory safety officer regarding the proper decontamination methods to use.

If the rotor or accessories are contaminated with toxic or pathogenic solutions, follow appropriate decontamination procedures. Check *Chemical Resistances* to be sure the decontamination method will not damage any part of the rotor.

Sterilization and Disinfection



- The rotor and all rotor components can be autoclaved at 121°C for up to one hour. Remove the lid from the rotor and place the rotor, lid, and O-ring in the autoclave upside down.
- Ethanol (70%)‡ or hydrogen peroxide (6%) may be used on all rotor components, including those made of plastic. Bleach (sodium hypochlorite) may be used, but may cause discoloration of anodized surfaces. Use the minimum immersion time for each solution, per laboratory standards.

While Beckman Coulter has tested these methods and found that they do not damage the rotor or components, no guarantee of sterility or disinfection is expressed or implied. When sterilization or disinfection is a concern, consult your laboratory safety officer regarding proper methods to use.

Refer to publication IN-192, included in each box of tubes or bottles, for tube sterilization and disinfection procedures.

Storage

When the rotor is not in use, store it in a dry environment (not in the centrifuge) with the rotor lid removed to allow air circulation so moisture will not collect in the tube cavities.

* In U.S., contact Nuclear Associates (New York); in Eastern Europe and Commonwealth States, contact Victoreen GmbH (Munich); in South Pacific, contact Gammasonics Pty. Ltd. (Australia); in Japan, contact Toyo Medic Co. Ltd. (Tokyo).

† In U.S., contact Biodex Medical Systems (Shirley, New York); internationally, contact the U.S. office to find the dealer closest to you.

‡ Flammability hazard. Do not use in or near operating ultracentrifuges.

Returning a Rotor

Before returning a rotor or accessory for any reason, prior permission must be obtained from Beckman Coulter, Inc. This form may be obtained from your local Beckman Coulter sales office. The form, entitled *Returned Material Authorization (RMA)* for United States returns or *Returned Goods Authorization (RGA)* for international returns, should contain the following information:

- rotor type and serial number,
- history of use (approximate frequency of use),
- reason for the return,
- original purchase order number, billing number, and shipping number, if possible,
- name and email address of the person to be notified upon receipt of the rotor or accessory at the factory,
- name and email address of the person to be notified about repair costs, etc.

To protect our personnel, it is the customer's responsibility to ensure that all parts are free from pathogens and/or radioactivity. Sterilization and decontamination must be done before returning the parts. Smaller items (such as tubes, bottles, etc.) should be enclosed in a sealed plastic bag.

*All parts must be accompanied by a note, plainly visible on the outside of the box or bag, stating that they are safe to handle and that they are not contaminated with pathogens or radioactivity. **Failure to attach this notification will result in return or disposal of the items without review of the reported problem.***

Use the address label printed on the RGA/RMA form when mailing the rotor and/or accessories.

Customers located outside the United States should contact their local Beckman Coulter office.

Supply List

NOTE Publications referenced in this manual can be obtained at www.beckmancoulter.com or by calling Beckman Coulter at 1-800-742-2345 in the United States, or by contacting your local Beckman Coulter office.

Call Beckman Coulter Sales (1-800-742-2345 in the United States) for detailed information on ordering parts and supplies. For your convenience, a partial list is given below.

Replacement Rotor Parts

F2402H rotor assembly.....	361171
Lid assembly.....	369352
Rotor lid O-ring (small).....	974933
Rotor O-ring (large).....	974934
Tie-down screw.....	361367
T-handle rotor wrench.....	361371

Other

Tubes and accessories	see Table 1
Adapter for 750-mL vials (pkg/12)	364690
Spinkote lubricant (2 oz)	306812
Silicone vacuum grease (1 oz)	335148
Rotor Cleaning Kit.....	339558
Beckman Solution 555 (1 qt)	339555

Beckman Coulter, Inc.

Benchtop Rotor Warranty

Subject to the conditions specified below and the warranty clause of the Beckman Coulter, Inc., terms and conditions in effect at the time of sale, Beckman Coulter agrees to correct either by repair or, at its election, by replacement, any defects of material or workmanship which develop within seven (7) years after delivery of a benchtop centrifuge rotor to the original buyer by Beckman Coulter or by an authorized representative, provided that investigation and factory inspection by Beckman Coulter discloses that such defect developed under normal and proper use. Should a Beckman Coulter centrifuge be damaged due to a failure of a rotor covered by this warranty, Beckman Coulter will supply free of charge all centrifuge parts required for repair.

Conditions

Except as otherwise specifically provided herein, this warranty covers the rotor only and Beckman Coulter shall not be liable for damage to accessories or ancillary supplies including but not limited to (i) tubes, (ii) tube caps, (iii) tube adapters, or (iv) tube contents.

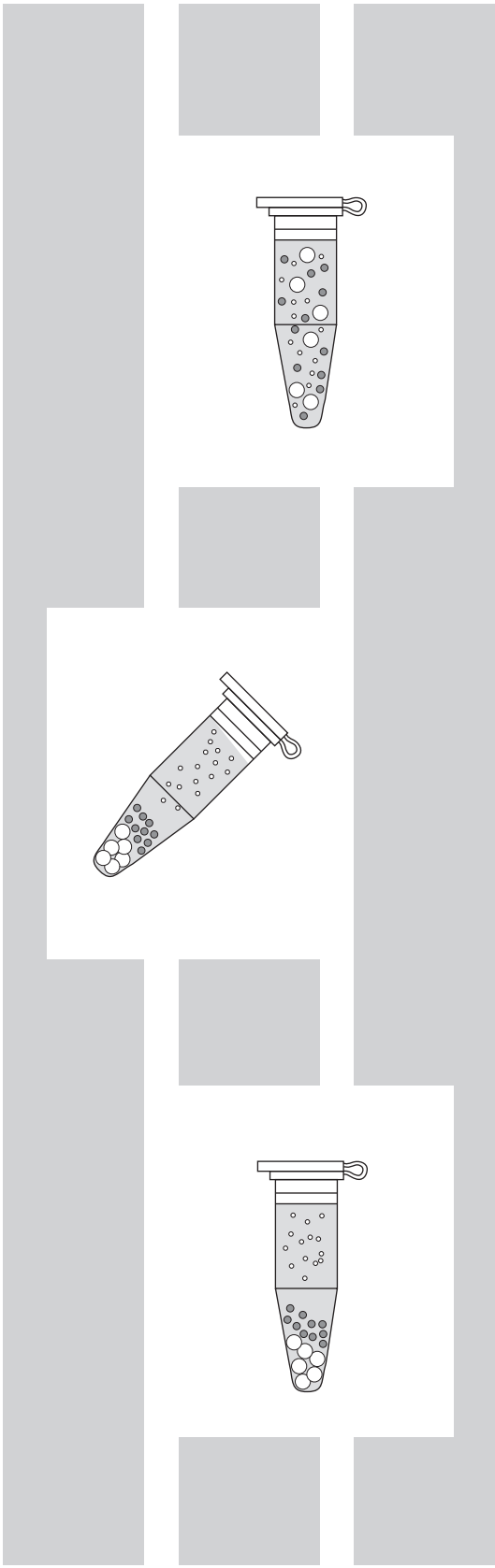
This warranty is void if the rotor has been subjected to customer misuse such as operation or maintenance contrary to the instructions in the Beckman Coulter rotor or centrifuge manual.

This warranty is void if the rotor is operated with a rotor drive unit or in a centrifuge unmatched to the rotor characteristics or operated in a Beckman Coulter centrifuge that has been improperly disassembled, repaired, or modified.

Thermoplastic rotors or components used in some benchtop centrifuges are warranted for one (1) year from date of purchase.

Disclaimer

IT IS EXPRESSLY AGREED THAT THE ABOVE WARRANTY SHALL BE IN LIEU OF ALL WARRANTIES OF FITNESS AND OF THE WARRANTY OF MERCHANTABILITY AND THAT NEITHER BECKMAN COULTER, INC. NOR ITS SUPPLIERS SHALL HAVE ANY LIABILITY FOR SPECIAL OR CONSEQUENTIAL DAMAGES OF ANY KIND WHATSOEVER ARISING OUT OF THE MANUFACTURE, USE, SALE, HANDLING, REPAIR, MAINTENANCE, OR REPLACEMENT OF THE PRODUCT.



Related Documents

Allegra 64R and Avanti 30 (GS30-IM-11)

- Description
- Installation Requirements
- Operation
- Troubleshooting
- Care and Maintenance
- Program Library

Allegra X-22 Series (GS22-IM-6)

- Description
- Installation
- Operation
- Troubleshooting
- Care and Maintenance

Allegra 21 Series, GS-15 Series, and Spinchron 15 Series (GS15-IM-8)

- Description
- Installation
- Operation
- Troubleshooting
- Care and Maintenance
- Program Library

Allegra X-30 Series (B01145)

- Safety
- Introduction
- Description
- Installation
- Operation
- Troubleshooting
- Care and Maintenance

Available in hard copy or electronic pdf by request.

Additional References

- Chemical Resistances for Beckman Coulter Centrifugation Products (IN-175)
- Use and Care of Tubes and Bottles (IN-192)

Available in hard copy or electronic pdf by request.

Available at www.beckmancoulter.com

www.beckmancoulter.com

