

Product Name

Olympus Plastics 28-150, FACS Tubes w/ 2-Position Cap, Sterile 12x75mm Tubes, 25/Bag, 500/Unit

General Description

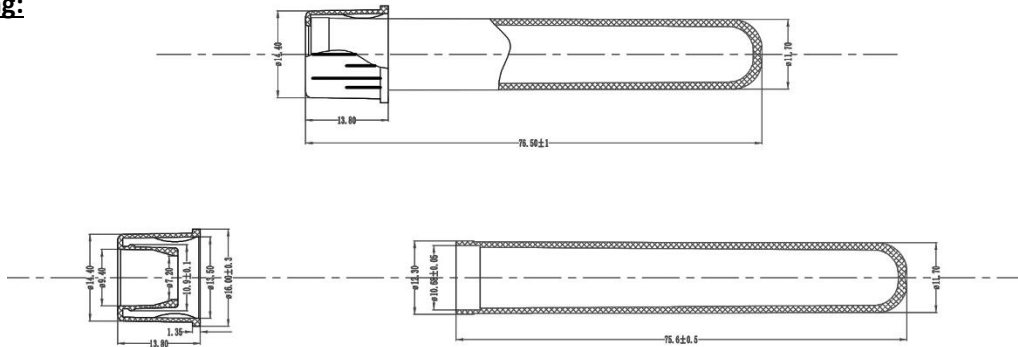
Flow Cytometry Tubes, 12x75mm, 5mL, PS, For use in FACS machines

Technical Specifications

Material:	Tubes: Polystyrene (PS) Caps: Polyethylene (PE)
Temperature Range:	-20° to 70°C
Measurements:	12x75mm
Autoclavable:	No
Sterilization:	Gamma (when applicable)
Certifications:	CE
Packaging:	Various options (see below)



Technical Drawing:



Catalog Numbers:

Cat No.	Description	Qty	Packaging	Shipping Information
28-154	Flow Cytometry Tubes with strainer caps, sterile	500/unit	20 bags of 25	14x14x10 – 4lb
28-156	Flow Cytometry Tubes with strainer caps, sterile	500/unit	Indiv. wrapped	16x12x10 – 5lb
28-155	Flow Cytometry tube, strainer cap ONLY, sterile	500/unit	20 bags of 25	10x10x4 – 2lb
28-150	Flow Cytometry Tubes with standard caps, sterile	500/unit	20 bags of 25	14x14x10 – 4lb
28-151	Flow Cytometry Tubes with no caps, sterile	1000/unit	4 trays of 250	13x10x8 – 6lb
28-152	Flow Cytometry tube, standard cap ONLY, sterile	1000/unit	20 bags of 25	10x10x4 – 2lb
28-153	Flow Cytometry Tubes with no caps, non-sterile	4000/unit	8 bags of 500	19x13x13 – 27lb